

**PRODUCT CODE: MP523**  
CHANNEL CANTILEVER ARM



**DESCRIPTION**

450mm Channel Cantilever Arm - 2 hole base plate

**FINISH**

Hot Dipped Galvanised

**MATERIAL**

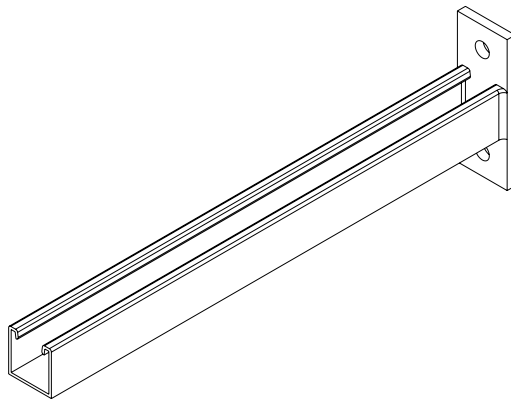
Steel

**PACKAGING**

Supplied individually

**ADDITIONAL NOTES**

Compliant to LU Standard 1-085 (for use on surface & sub-surface locations)



Isometric view

